

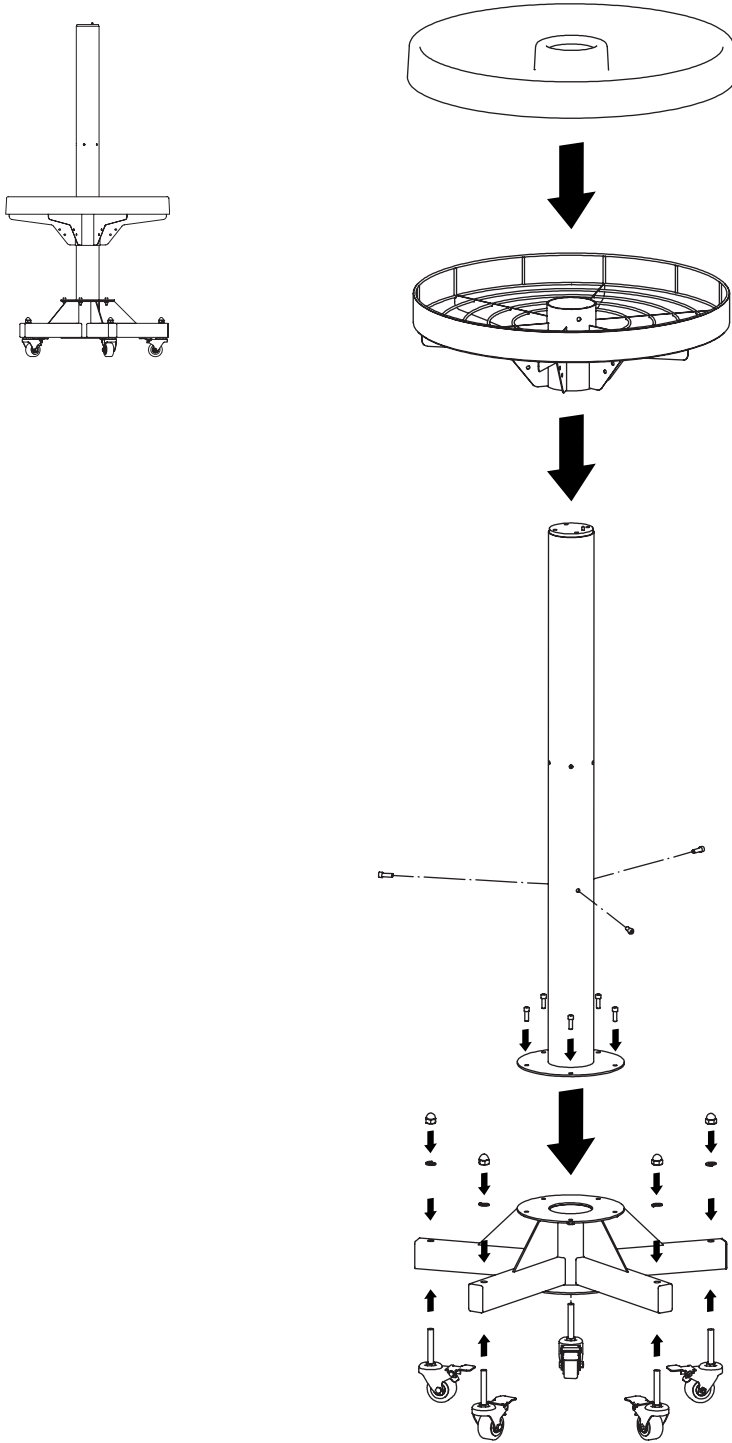
## Banana tree

Mounting instruction

# Banana tree

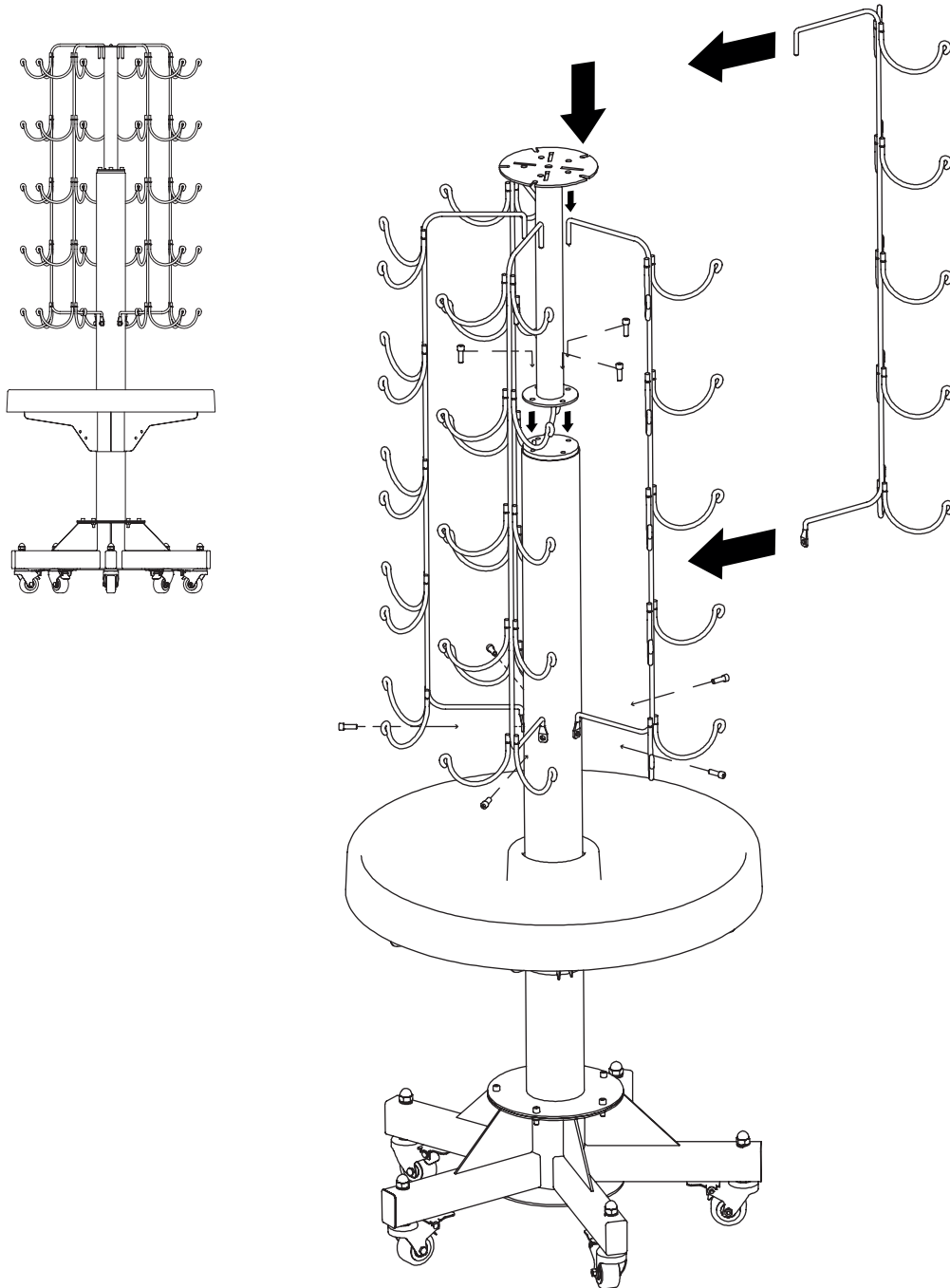
1

Fit the wheels and bottom tray



# Banana tree

## 2 Fit the stand top and add the banana hooks



# Banana tree

## 3 Add the label holder

