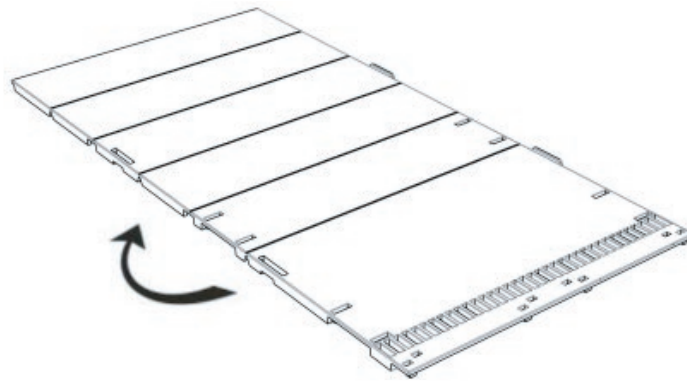


## Flex Tray™

Mounting instructions and  
how to adjust the depth

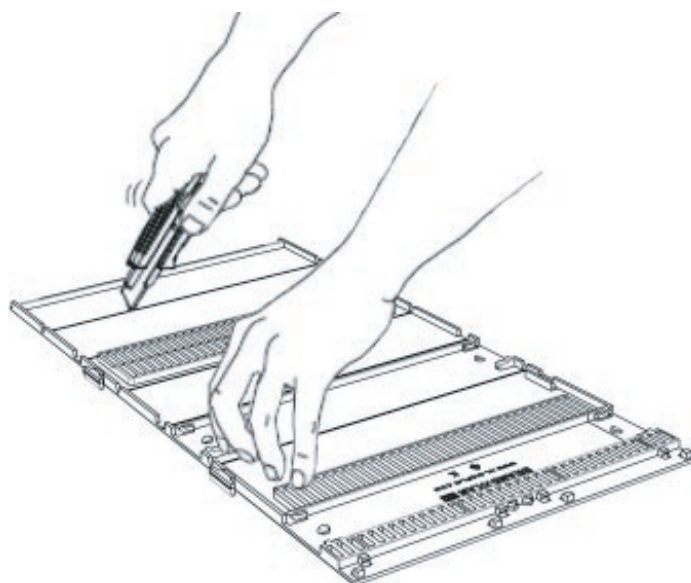
# Flex Tray™ – Adjusting depth

**1**



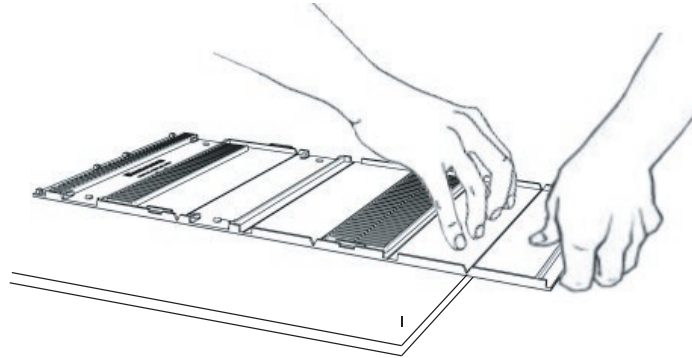
---

**2**



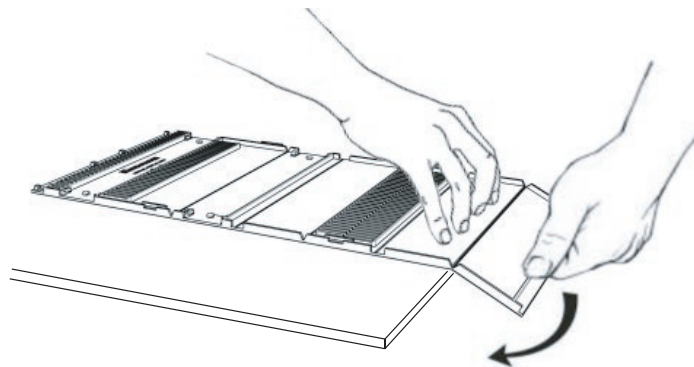
# Flex Tray™ – Adjusting depth

**3**



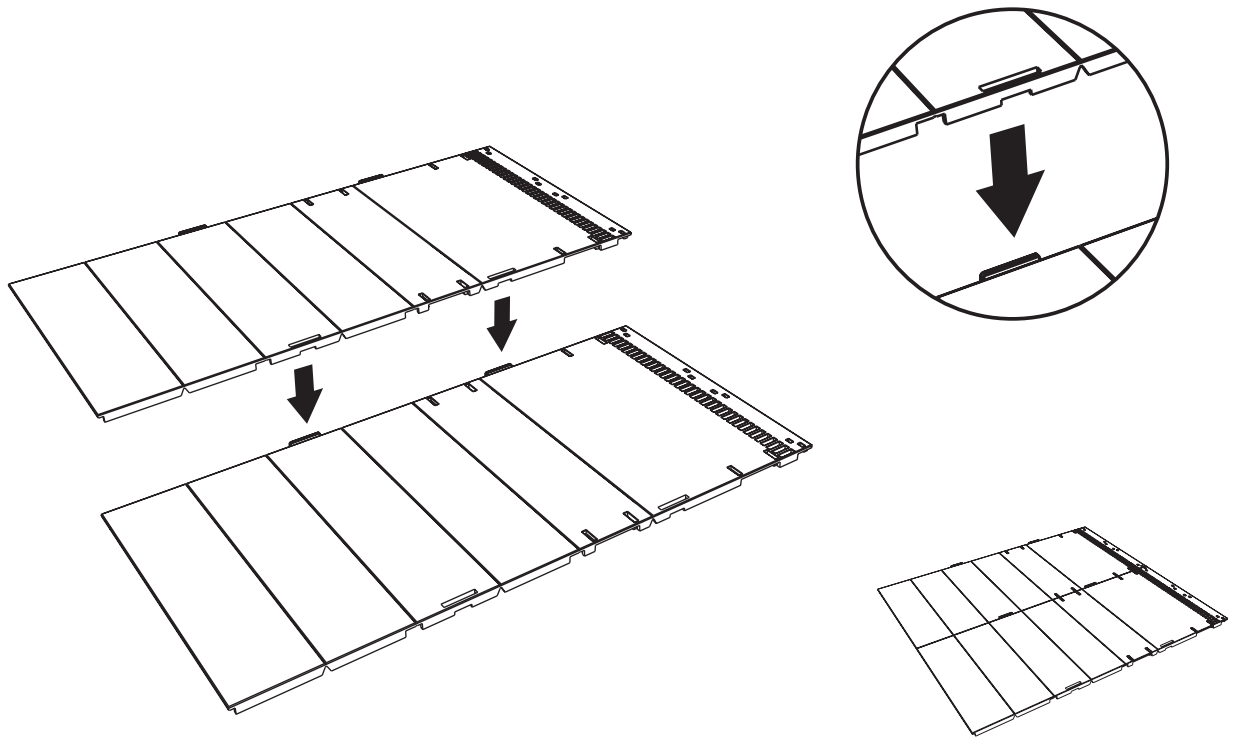
---

**4**

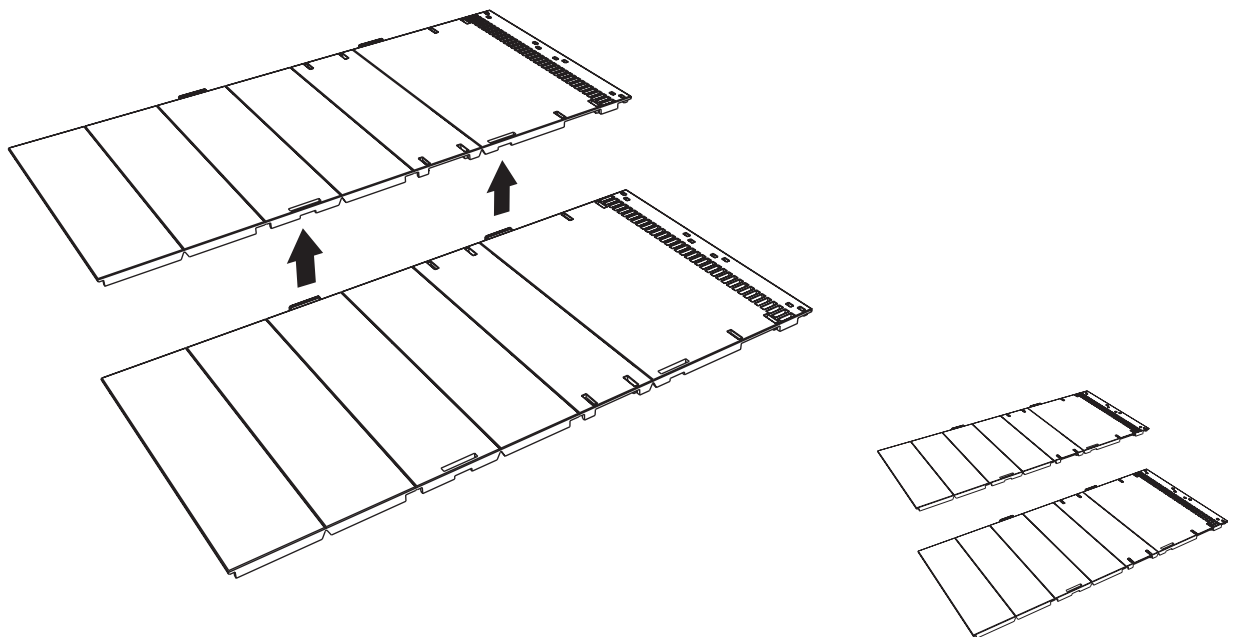


# Flex Tray™ – Connecting and disconnecting trays

**1**

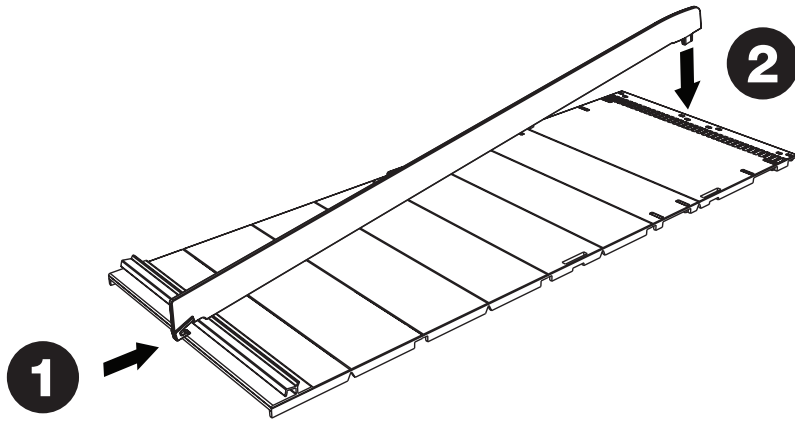


**2**



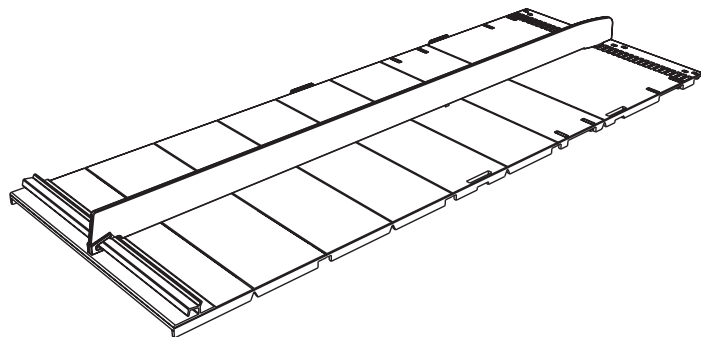
# Flex Tray™ – Mounting dividers

**1**



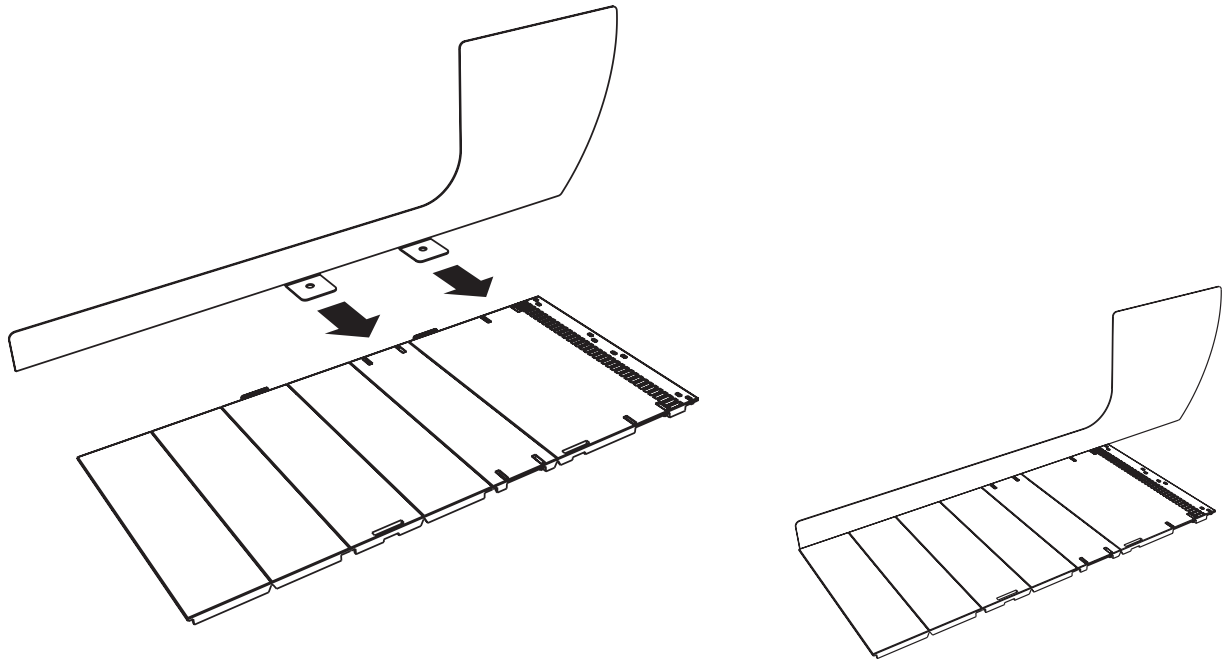
---

**2**



# Flex Tray™ – Mounting flags

**1**



**2**

